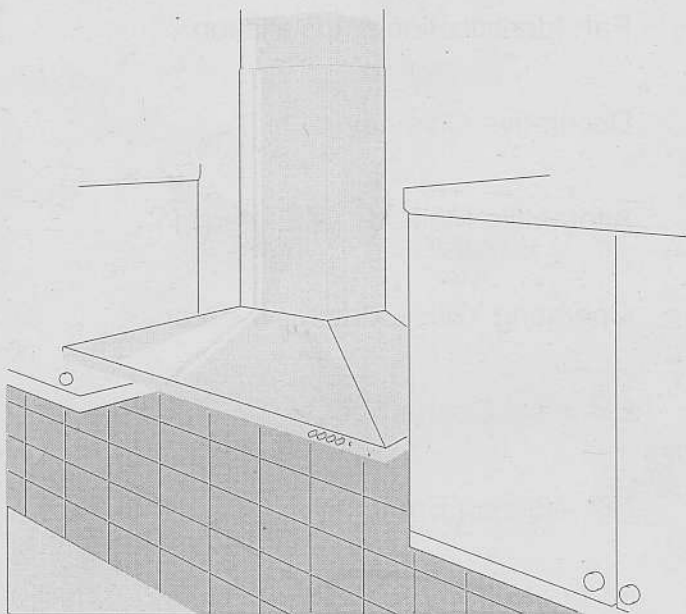


***How to get the most
from your Chimney
Canopy Extractor***



APP 2440

APP 2442

APP 2540

APP 2542

APP 2543

• **E X T R A C T O R** •

Contents

• 1

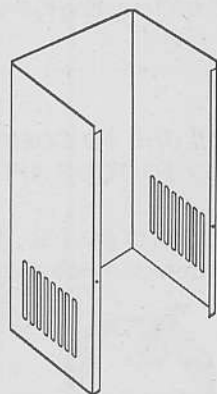
Page No.

- 1** Contents
- 2 & 3** Part Identification & Installation
- 4 & 5** Decorative Chimney
- 6 & 7** Alternative Methods Of Extraction
- 8** Operating Your Extractor & Cleaning
- 9** Electrical Connections
- 10** Not Working Properly?
- 11** 12 Months Guarantee

Parts Identification

• 2

On opening your box you will find the extractor hood, a telescopic decorative chimney, a bag of fittings containing brackets and various screws, a ceiling fixing bracket, a deflector and, a wall fixing template drawing and a ducting connector.

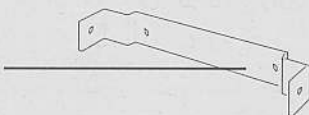


DEFLECTOR
(FOR RECIRCULATION ONLY)

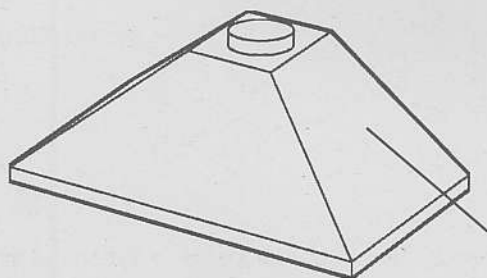
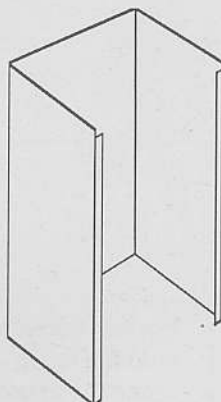


CHIMNEYBASE

CEILINGBRACKET



CHIMNEYTELESCOPICTOPSECTION.



EXTRACTOR

You may find plastic ducting adaptors have been supplied with your extractor. These can be used on the extractor outlet and ducting connector.



● **Extraction Without Intrusion**

● **3**

The extractor is designed to give you the option to extract air by ducting to the outside and away (via an exterior wall), or to re-circulate air through charcoal filters to minimize odours, steam and condensation.

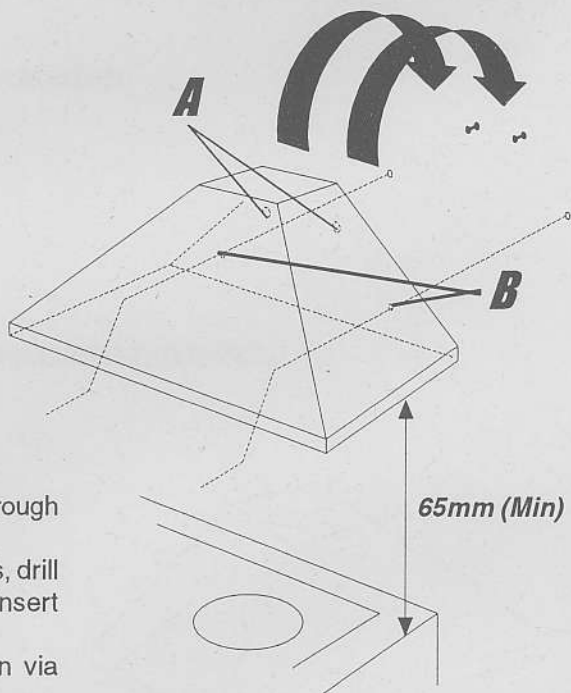
The choice is yours to decide at installation, and both systems are explained in this booklet.

We recommend that you read this booklet from cover to cover before attempting to install or operate the extractor.

● **Installation**

THIS INSTRUCTION MUST BE STRICTLY ADHERED TO. FAILURE TO COMPLY COULD RESULT IN OVERHEATING AND SERIOUS DAMAGE TO YOUR APPLIANCE.

When installing your extractor above a heat source, i.e., any electrical or gas hob, grill, cooker etc., the fixing height must **NOT BE LESS THAN 65cm** between the hob and the bottom of the extractor.



Position the extractor and mark through onto the fixing wall via holes A.

Using the appropriate wall fixings, drill the two marked positions and insert screws.

Place the extractor into position via these fixings.

Two further holes (B) are provided in the rear of the extractor for fixing. When the extractor is in the correct position, mark through these holes and drill the surface to which the extractor is to be fitted. Use appropriate fixings for the type of wall. You may need to purchase the correct fixings if the ones supplied are not adequate, if in doubt, consult an expert.

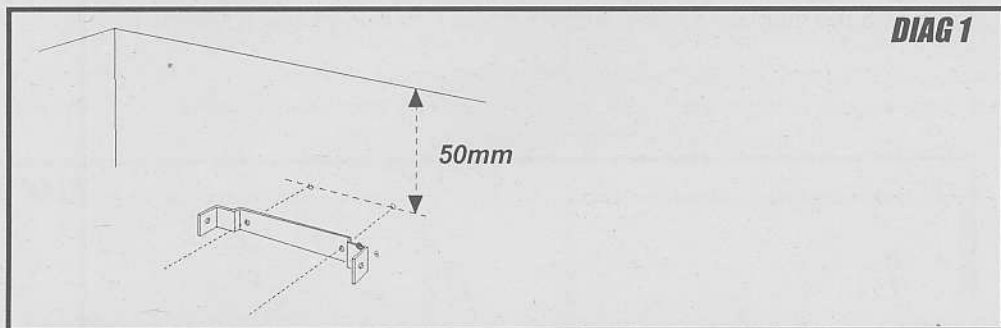
NOTE: Adaptors are provided to connect a 125mm vent hose to the outlet of the extractor and to the top vent ducting connector.

Decorative Chimney

• 4

Whether you are planning to duct externally or recirculate you will need a purpose designed ducting kit which is available from where you purchased your extractor, in both cases you will need to fix the ceiling bracket.

Once your extractor is in position on the wall, the bracket needs to be positioned directly above the extractor outlet on the ceiling or other appropriate surface. Use a spirit level and a straight edge to ensure it is square to the extractor.

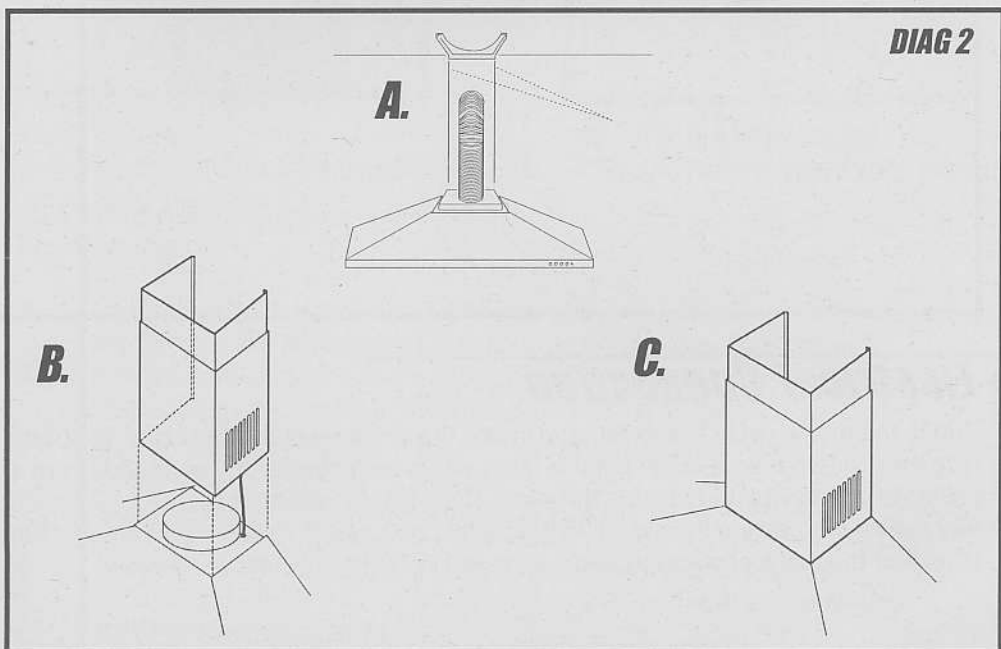


EXTERNAL EXTRACTION STAGES OF FITTING/ REF. DIAG 2

2A) Extractor in position, ceiling bracket in place and ducting work completed.

2B) Fit the chimney parts together.

2C) Fit the chimney in position and secure top section into the ceiling bracket.

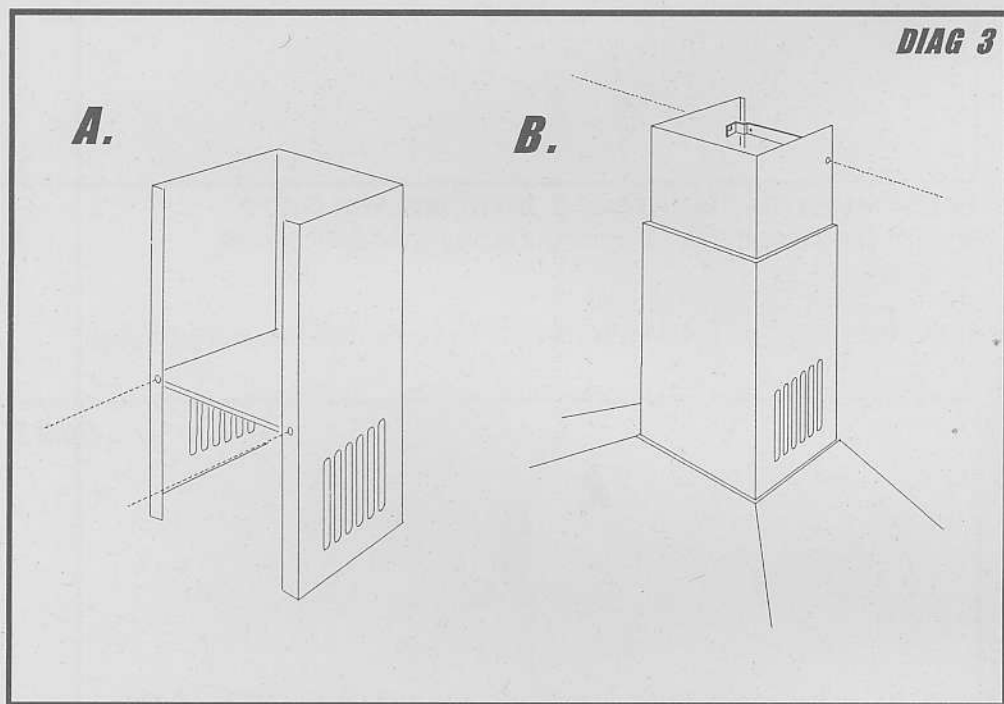


RECIRCULATION STAGES OF FITTING/ REF. DIAG 3

2A) Slide deflector down into the bottom section of chimney, as shown. Secure using screws supplied.

2B) Fit the chimney parts together. NOTE: The air vents will be at the bottom of the chimney.

Secure top section into the ceiling bracket and secure the bottom section onto the extractor via the four fixing holes. Access to the four fixing holes is via the two clips.



Electrical Connection

Due to the mains cable being situated inside the chimney of the extractor we strongly recommend that a spur outlet point is fitted within the chimney but controlled from a separate switch situated outside this area. (See Electrical Connections).

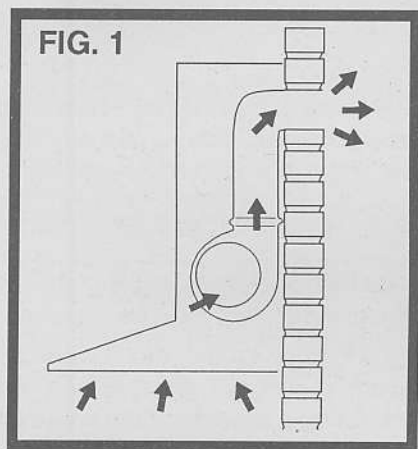
Any cables connecting the switch to the outlet point must be protected from any heat source or mechanical damage and it is preferred that it is sunk into the wall.

Alternative Methods Of Extraction

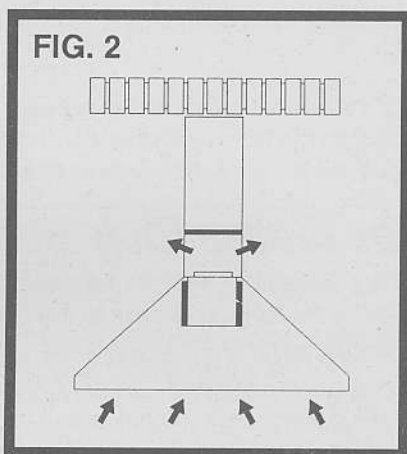
• 6

• 1. Extraction Via Ducting (fig. 1)

The very best method of cleaning the kitchen of unwanted odours is by connecting the appliance to an exhaust duct and venting to the outside atmosphere via an exterior wall. (Suitable ducting kits may be purchased from the store where you bought your extractor). Ducting your extractor negates the need for a charcoal filter. (Fig. 1).



DUCTING MODE
(NO CHARCOAL FILTER REQUIRED)



RECIRCULATING MODE
(CHARCOAL FILTERS REQUIRED)

REMEMBER: Before drilling or chiselling the wall, check for pipes and power cables.

1. Ensure the ducting tube is kept as short as possible and with the minimum of bends to permit the smoothest airflow. (Maximum length 3 metres).
 2. Ducted air must not be discharged into a flue which is used for exhausting fumes from appliances supplied with energy other than electricity.
 3. Ensure the requirements of the local authorities are adhered to concerning the discharge of exhaust air.
 4. Ensure adequate room ventilation is provided when the extractor is used in the same room as appliances supplied with energy other than electricity.
 5. Never duct into a hot air flow such as a central heating duct.
- We strongly advise that all exterior outlets be fitted with a **non return valve or louvred slatting**.

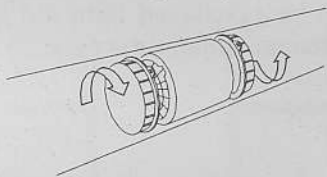
● 2. The Re-circulation Mode (fig 2.)

● 7

When there is no easy access to an outside wall, the extractor can easily be adapted to clean air polluted by cooking smells, by using a charcoal filter which can be purchased from the store where you bought your extractor. Remember the re-circulation mode can not be used without charcoal filters.

● The Charcoal Filter

Filters has a limited life. We advise you to change it when there is a noticeable drop in performance. The intervals between changing the filter will depend entirely upon the amount of cooking you do, but on average they will last about 6 months.



Once you have removed the grease filters, fitting the charcoal filter is easy. They simply lock onto the fan at either end by turning it in an anticlockwise direction. With the filter in place, air is thoroughly cleaned before passing out of the unit via the top outlet.

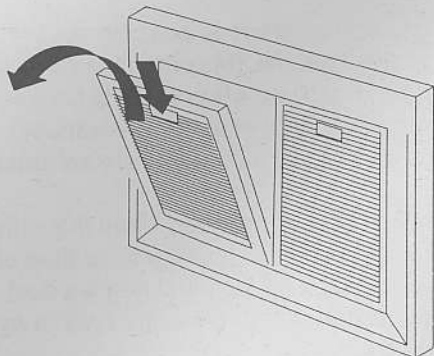
● The Grease Filter Mat

The grease filter mat is of a metallic material and should be washed using a neutral detergent. To gain access to the charcoal filter the grease filters must be removed.

IMPORTANT: You should never attempt to use the extractor without the grease filter since grease build-up could prevent the motor working properly. If either filter is not changed regularly the risk of fire will be increased. **Always switch off the electricity supply or pull out the plug before changing the filters.**

REMOVAL OF THE GREASE FILTERS: This is carried out by pushing the respective panel towards the rear of the extractor and downwards until it disengages from the supports. Proceed in reverse when re-fitting the filters.

IMPORTANT: Before cleaning always ensure that the extractor is switched off!



● **Operating Your Extractor**

● **8**

When the extractor is installed the relevant speed can be selected to suit the specific requirements.

Press the relevant button in to operate the function, press again to turn off.

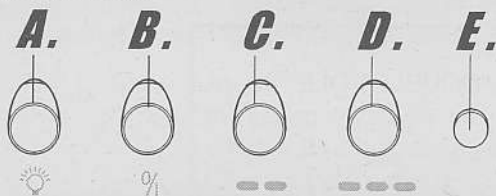
A = LIGHT SWITCH

B = FIRST SPEED MOTOR ON/OFF SWITCH (This switch must always be on for second & third speeds to operate).

C = SECOND SPEED SWITCH

D = THIRD SPEED SWITCH

E = WARNING LIGHT (MOTOR ON)



● **Replacing The Light Bulbs**

Ensure that the power is switched off.

Remove the lamp lense, unscrew the faulty bulb and replace with a bulb of the same wattage. Replacement bulbs can be purchased at the store from which you bought the appliance.

NOTE: BULB REPLACEMENT IS NOT COVERED BY YOUR GUARANTEE.

● **For Your Safety**

In order to protect your appliance and minimise the risk of fire, don't barbecue food directly under the extractor. Similarly, **do not prepare flame dishes** immediately under the extractor. If you use a gas hob, **do not remove pots without first turning off the flame**. Your extractor is designed to draw gases up and away from your hob. This means that exposed flames may behave unpredictably in the vicinity of the appliance while it is switched on. When frying take particular care to prevent the oil from catching fire and never leave unattended. The motor used in this hood features a safety device (thermal cutout) that responds to temperature changes. For accidental reasons or due to installation faults, this device could engage and automatically shut off the motor, thereby preventing serious damage to the equipment. In such cases, after allowing the motor to cool down, the hood can be switched on again; the cause of the fault will nonetheless have to be remedied, ensuring installation has been correctly made and that all instructions have been complied with.

● **Cleaning**

IMPORTANT: Before attempting any cleaning or maintenance, ensure your extractor is disconnected from the power source.

GENERAL CLEANING: Thorough servicing guarantees correct and long lasting operation. Wipe the external surfaces of the appliance regularly using warm water and a mild detergent, never use products containing abrasives.

Particular care must be paid to the grease filtering panels which must be periodically cleaned in relation to use (at least once every two months).

Remove the grease filters and wash them using neutral detergent.

IMPORTANT: ENSURE THAT THE ELECTRICITY SUPPLY IS SWITCHED OFF BEFORE CONNECTING.

Your appliance must be connected to fixed wiring via the use of a double pole switched fused spur outlet with at least 3mm contact separation, and preferably with a pilot lamp. (See technical data for fuse rating). We strongly recommend the appliance is connected by a qualified electrician who is a member of the N.I.C.E.I.C or Corgi who will comply with the I.E.E and any local regulations.

NOTE:

The terminology "DOUBLE POLE" means that both the live and neutral supplies are switched and disconnected at the same time.

The terminations labelled SUPPLY are for the connection for the internal house wiring and the terminations labelled LOAD are for connection for the appliance.

IMPORTANT

The wires in this mains lead are coloured in accordance with the following code:-

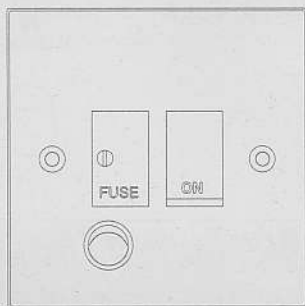
Blue **Neutral**
Brown **Live**

As the colours of the wires in the mains lead of this appliance may not correspond with the coloured markings identifying the terminals in your spur box, proceed as follows;

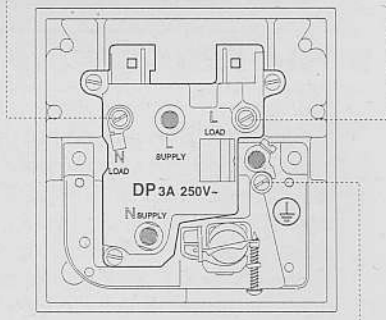
The wire which is coloured blue must be connected to the terminal which is marked with the letter 'N' or coloured black. The wire which is coloured brown must be connected to the terminal which is marked with the letter 'L' or coloured red.

WARNING

Niether wire should be connected to the terminal marked with the letter E or by the earth symbol.



BLUE **BROWN**
(NEUTRAL) **(LIVE)**



TECHNICAL DATA:
FUSE RATING: 3 AMP

WIRING TO THE MAINS

The unit does not come with a plug as there are alternative ways of connecting it to the mains supply (which should be 230 - 240v ~ 50Hz). If you are in any doubt about electrical connection consult a qualified electrician.

Before you assume the worst, check this simple fault-finding guide to get to the root of the problem:

Light bulb doesn't come on

A replacement is probably necessary, but check first that the bulb is firmly screwed in to its holder. If the filament is broken, remember that the light bulbs are not covered by our guarantee. Remember to disconnect power supply before removing the bulb.

Motor is on but fan doesn't seem to be as efficient as usual

Check grease filter mat. If it hasn't been cleaned recently, it might be clogged with grease. If filter mat is relatively clean, check charcoal filter. If this hasn't been replaced for more than six months, remove and insert new one's. As time goes by, accumulated grease tends to stifle the charcoal filters in just the same way as the grease filter mat, thereby reducing the efficiency of both the fan and the filter itself.

Works normally but cooking smells linger

If you're using the unit in re-circulation mode, change charcoal filter. It is obviously past its prime.

Controls fail to switch motor on

Check plug, socket and fuses. If these are in order and fault persists, it could be that an accumulation of grease has impaired the efficiency of the switch mechanism. Try rapidly moving switch on and off several times in succession to clear grease deposit. If fault continues, call service agent.

Appliance does not work at all

Check your extractor is switched on at the mains. Next, check for an unexpected power strike by switching on adjacent lights etc.

Still not working? Call the service agent.

If, having consulted the above diagnostic chart you are still unable to remedy the situation, please call the Free-phone service No. (Back cover).

GUARANTEE CONDITIONS

(a) Any claim during the period of the guarantee **MUST BE ACCOMPANIED WITH THE RECEIPT** relating to the original purchase.

(b) The unit must be correctly installed and operated in accordance with the manufacturer's instructions and used for normal domestic purposes.

(c) The guarantee does not cover accidental damage, misuse or alterations which are likely to affect the units.

(d) The guarantee is invalid if the unit is tampered with, or repaired by any unauthorised person.

(e) The guarantee in no way affects your statutory rights.

(f) Mainland U.K. only.

● Procedure when reporting a fault

1. Give full name, address including post code, home telephone number and business telephone number if appropriate.
2. Quote sales receipt number, make and model number of faulty appliance.
This product's reference is as follows:
APP 2440
APP 2442
APP 2540
APP 2542
APP 2543
3. Give a summary of the problem.

LOW CALL SERVICE
LOW CALL SERVICE
LOW CALL SERVICE
LOW CALL SERVICE
LOW CALL SERVICE

08457 959722

LOW CALL SERVICE
LOW CALL SERVICE
LOW CALL SERVICE
LOW CALL SERVICE
LOW CALL SERVICE

● Technical Data

Power Supply: **230/240v ~ 50Hz**
Rating: **230 watts**
Fuse Rating: **3 amp**
Code Reference:- **HD001131**



PRINTED ON RECYCLED PAPER

04306580/5