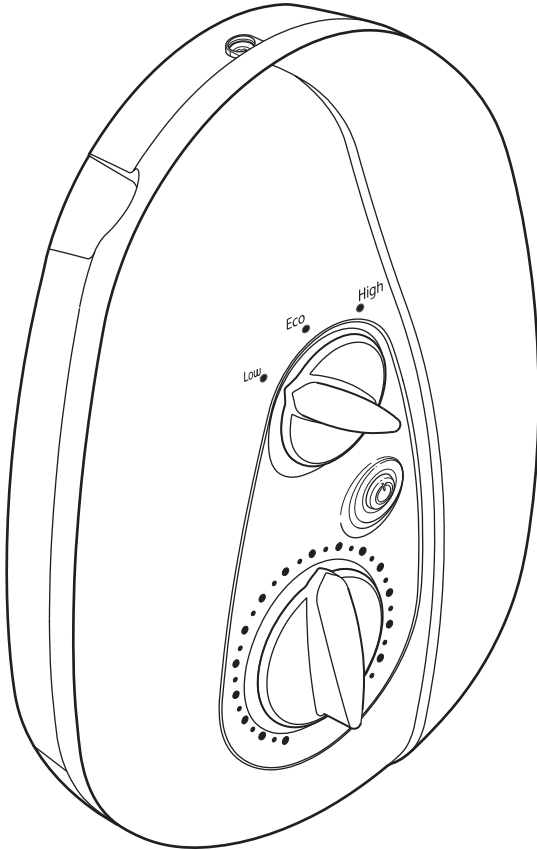


Mira GO

mira
GO



MIRA GO

ELECTRIC SHOWER

Installation and User Guide

These instructions are to be left with the user

CONTENTS

| | |
|---|-----------|
| Introduction | 3 |
| Patents and Design Registration..... | 3 |
| Guarantee | 4 |
| Important Safety Information | 5 |
| Warning! | 5 |
| Caution! | 7 |
| Pack Contents | 8 |
| Mira GO 8.5 kW, 9.5 kW or 10.8 kW Electric Shower | 8 |
| Specifications | 9 |
| Dimensions..... | 9 |
| Wiring Diagram..... | 10 |
| Plumbing | 11 |
| Electrical..... | 11 |
| Standards and Approvals | 11 |
| Flow Rate Graph | 11 |
| Installation Requirements | 12 |
| Plumbing | 12 |
| Electrical..... | 14 |
| Installation | 15 |
| Commissioning | 18 |
| Operation | 19 |
| Advice to Users | 19 |
| Operating Instructions | 20 |
| Fault Diagnosis | 21 |
| Maintenance | 25 |
| Cleaning | 25 |
| Handset..... | 25 |
| Cleaning the Inlet Filter | 25 |
| Relief Valve Assembly - Resetting..... | 26 |
| Spare Parts | 27 |
| Spare Parts List..... | 27 |
| Spare Parts Diagram..... | 28 |
| Accessories | 29 |
| Notes | 30 |
| Customer Service | 32 |

INTRODUCTION

Thank you for purchasing a quality Mira GO Electric Shower. To enjoy the full potential of your new shower, please take time to read this guide thoroughly, and keep it handy for future reference.

Mira GO electric showers have separate controls for power selection and for temperature/flow adjustment. A unique flow regulator stabilises any temperature changes caused by water pressure fluctuations, which can result from taps being turned on or off or toilets being flushed.

Products covered by this guide:

Mira GO 8.5 A 8.5 kW 240 V AC (7.8 kW 230 V AC) heater with push-button Start/Stop. Available in a white/chrome or satin/chrome finish.

Mira GO 9.5 A 9.5 kW 240 V AC (8.7 kW 230 V AC) heater with push-button Start/Stop. Available in a white/chrome or satin/chrome finish.

Mira GO 10.8 A 10.8 kW 240 V AC (9.9 kW 230 V AC) heater with push-button Start/Stop. Available in a white/chrome or satin/chrome finish.

Recommended Usage

| | |
|------------------|---|
| Domestic | ✓ |
| Light Commercial | ✓ |
| Heavy Commercial | ✗ |
| Healthcare | ✗ |

Patents and Design Registration

| | |
|----------------------------|--------------------------------------|
| Patents | GB: 2 237 860 Ireland: 64471 |
| Design Registration | 000165071 - 0013 000165071 - 0014 |

If you experience any difficulty with the installation or operation of your new shower control, then please refer to '**Fault Diagnosis**', before contacting Mira Showers. Our telephone and fax numbers can be found on the back cover of this guide.

GUARANTEE

For **domestic installations**, Mira Showers guarantee the Mira GO 8.5, 9.5 kW and 10.8kW against any defect in materials or workmanship for a period of **two** years from the date of purchase (shower fittings for one year).

For **non-domestic installations**, Mira Showers guarantee the Mira GO 8.5, 9.5 kW and 10.8kW against any defect in materials or workmanship for a period of **one** year from the date of purchase.

For terms and conditions refer to section “**Customer Services**”.

IMPORTANT SAFETY INFORMATION

Warning!

1. **Read all of these instructions and retain this guide for later use.**
2. Products manufactured by us are safe and risk-free, provided that they are installed, used and maintained in good working order, in accordance with our instructions and recommendations.
3. **THIS APPLIANCE MUST BE EARTHED. MAKE SURE SUPPLEMENTARY BONDING COMPLIES WITH THE 'REQUIREMENTS FOR ELECTRICAL INSTALLATIONS' BS7671.**
4. This product is suitable for installation within Zone 1 and is rated IP X4.
5. This product is not suitable for areas with very high humidity (i.e steam rooms). Please consult your installer.
6. In accordance with 'The Plugs and Sockets etc. (Safety) Regulations' in force at the time of installation, this appliance is intended to be permanently connected to the fixed electrical wiring of the mains system.
7. Turn off the electrical and water supplies before commencing installation. The electricity must be turned off at the mains and the appropriate circuit fuse removed, if applicable.
8. Refer to the wiring diagram before making any electrical connections.
9. This appliance must be provided with means for disconnection that is incorporated into the fixed wiring in accordance with the relevant local wiring regulations
10. Make sure all electrical connections are tight, to prevent overheating.
11. **DO NOT** twist the individual cable cores of the live and neutral conductors, as this will prevent them from entering the terminal block.
12. Switch off the appliance at electrical isolating switch when not in use. This is for safety and is recommended with all electrical appliances.
13. **DO NOT** install the product in a position in which service access is restricted.
14. **DO NOT** install the appliance in a position where it may become frozen.
15. Make sure that any pipework that could become frozen is properly insulated.
16. **DO NOT** switch on if there is a possibility that the water in the appliance is frozen. The shower unit must not be fitted where it may be exposed to freezing conditions.
17. The water supplies to this product must be isolated if the product is not to be used for a long period of time. If the product or pipework is at risk of freezing during this period they should also be drained of water.
18. **DO NOT** fit any form of outlet flow control as the outlet acts as a vent for the tank body. Only Mira Showers recommended outlet fittings should be used.
19. If water leaks from the pressure relief valve, maintenance will be required before the appliance can be safely used.
20. If the shower is dismantled during installation or servicing then upon completion the product must be inspected to ensure there are no leaks.

21. **DO NOT** commission this appliance if water leaks from the unit.
22. **DO NOT** operate this appliance if water leaks from this appliance.
23. Only a competent person should remove the front cover. We recommend any maintenance work is carried out by a Mira Service Engineer or qualified tradesperson.
24. Mains connections are exposed when the cover is removed. Isolate the electrical and water supply before removing the cover.
25. If any of the following conditions occur, isolate the electricity and water supplies and refer to **To contact us**, on the back page of this guide.
 - If the cover is not correctly fitted and water has entered the appliance case
 - If the case is damaged
 - If the shower begins to make an odd noise, smell or smoke
 - If the shower shows signs of a distinct change in performance, indicating a need for maintenance
 - If the the shower is frozen
26. The shower head must be de-scaled regularly. Lack of regular shower head cleaning will lead to poor performance and cause early failure of the appliance. Refer to the Shower Fittings User Guide for more information.
27. Unless otherwise stated, electrical equipment such as extractor fans, pumps must not be connected via this product.
28. If pipework and/or electrical cables enter the shower from the rear through a hole in the wall . Provision must be made to prevent water ingress back into the wall structure.
29. Care is required when adjusting flow or temperature, make sure that the temperature has stabilised.
30. Rapid/Excessive movement of the flow and/or temperature control levers may result in momentary unstable blend temperatures.
31. **DO NOT** position the handset to spray water directly on to the appliance. Eg. When cleaning shower control.
32. Make sure that you fully understand how to operate this shower and make sure that it is properly maintained in accordance with the instructions given in this manual.
33. Having completed the installation, make sure that the user is familiar with the operation of the appliance.
34. When this appliance has reached the end of its serviceable life, it should be disposed of in a safe manner, in accordance with current local authority recycling, or waste disposal policy.

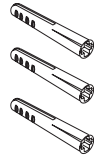
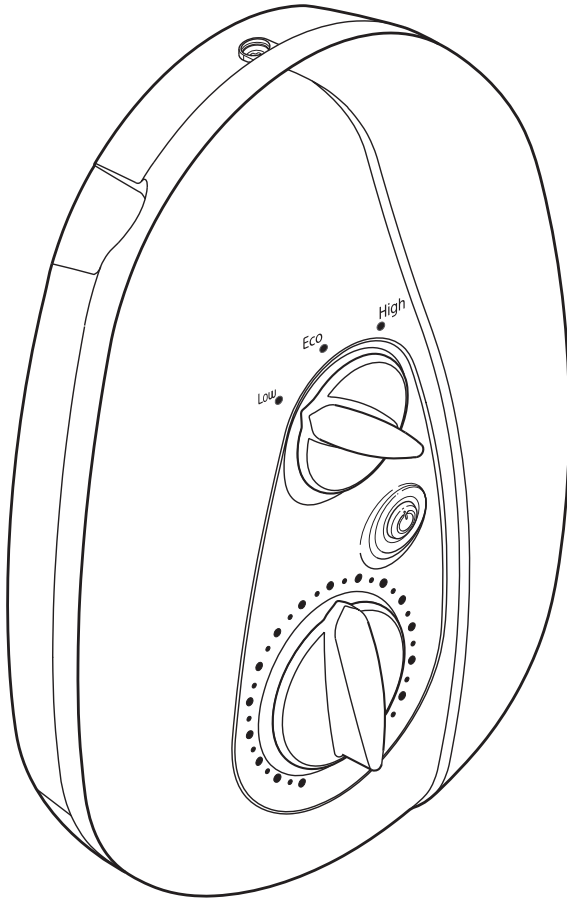
Caution!

1. **Read all of these instructions and retain this guide for later use.**
2. Make sure that this guide is left with the user. Pass on this guide in the event of change of ownership of the installation site.
3. Follow all warnings, cautions and instructions contained in this guide, and on or inside the shower.
4. Installation must be carried out in accordance with these instructions, and must be conducted by designated, qualified and competent personnel.
5. The electrical installation must comply to 'BS 7691 Requirements for Electrical Installations' (commonly referred to as the IEE Wiring Regulations Part 7, or any particular regulations and practices, specified by the local electricity supply company) in force at the time of installation. The installation should be carried out by an electrician or contractor who is registered, or is a member of, an association such as:
 - National Inspection Council for Electrical Installation and Contracting (NICEIC), throughout the UK
 - The Electrical Contractors Association (ECA), England and Wales
 - The Electrical Contractors Association of Scotland (ECAS)
6. This is a high power unit; it is essential to contact your electricity supply company to make sure that the electricity supply is adequate for the purpose.
7. The plumbing installation must comply with the requirements of UK Water Regulations/Bye-laws (Scotland), Building Regulations or any particular regulations and practices, specified by the local water company or water undertakers. The installation should be carried out by a plumber or contractor who is registered, or is a member of, an association such as:
 - Institute of Plumbing (IOP), throughout the UK
 - National Association of Plumbing, Heating and Mechanical Services Contractors (NAPH & MSC), England and Wales
 - Scottish and Northern Ireland Plumbing Employers' Federation (SNIPEF), Scotland and Northern Ireland
8. This appliance is not thermostatic and can produce scalding temperatures if not operated in accordance with the instructions given in this manual.
9. If you are unsure how electric showers work, please read the **Operation** section before continuing.
10. This appliance is not intended for use by persons (including children) with reduced physical, sensory or mental capabilities, or lack of experience and knowledge, unless they have been given supervision or instruction concerning the use of the appliance by a person responsible for their safety.
11. Children should be supervised to make sure that they do not play with the appliance.
12. Sunburn or skin conditions can increase your sensitivity to hot water.

PACK CONTENTS

Tick the appropriate boxes to familiarise yourself with the part names and to confirm that the parts are included.

Mira GO 8.5 kW, 9.5 kW or 10.8 kW Electric Shower



3 x Wall Plugs



3 x Fixing Screws

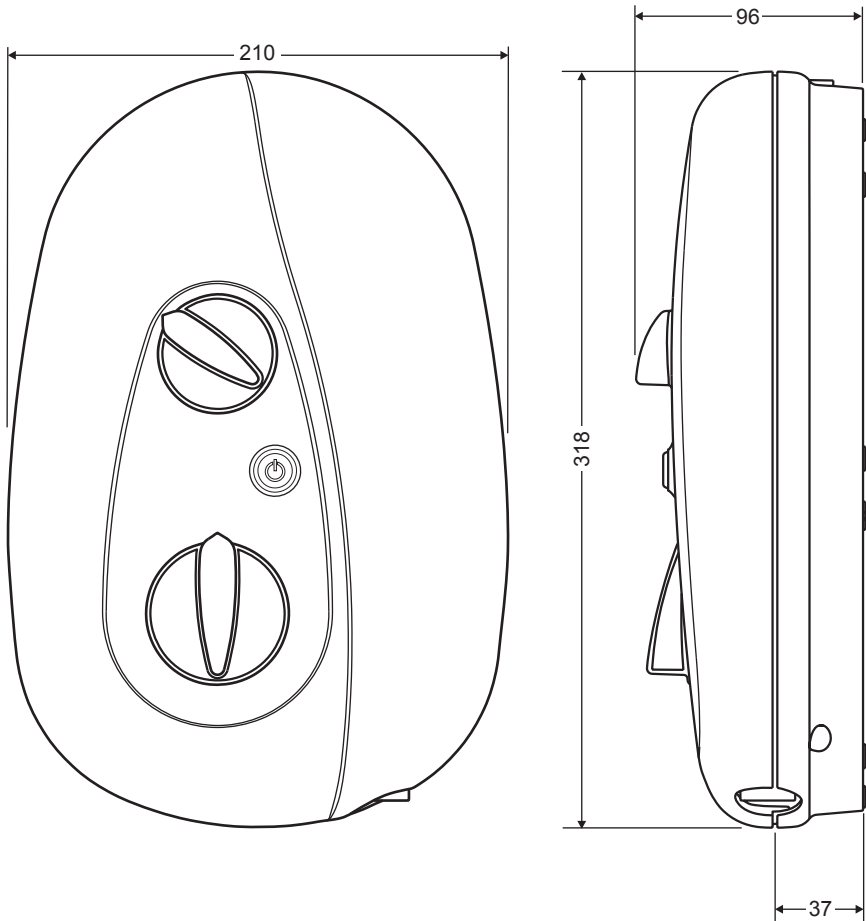
1 x Mira GO Electric Shower

Documentation

- 1 x Installation and User Guide
- 1 x Installation Template
- 1 x Guarantee and Registration Document

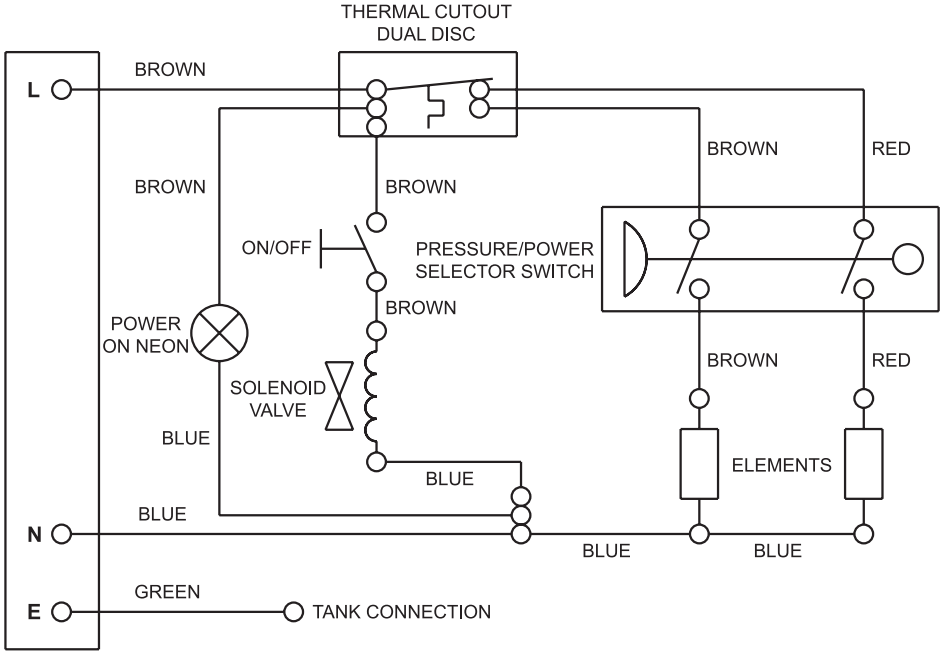
SPECIFICATIONS

Dimensions



All dimensions are nominal and in millimetres.

Wiring Diagram



Plumbing

1. Minimum maintained inlet pressure for satisfactory operation:
8.5 kW and 9.5 kW: 70 kPa (0.7 bar).
10.8 kW: 100 kPa (1.0 bar).
2. Maximum static inlet pressure: 1000 kPa (10 bar).
3. Minimum static pressure to keep the flow valve closed: 50 kPa (0.5 bar).

Electrical

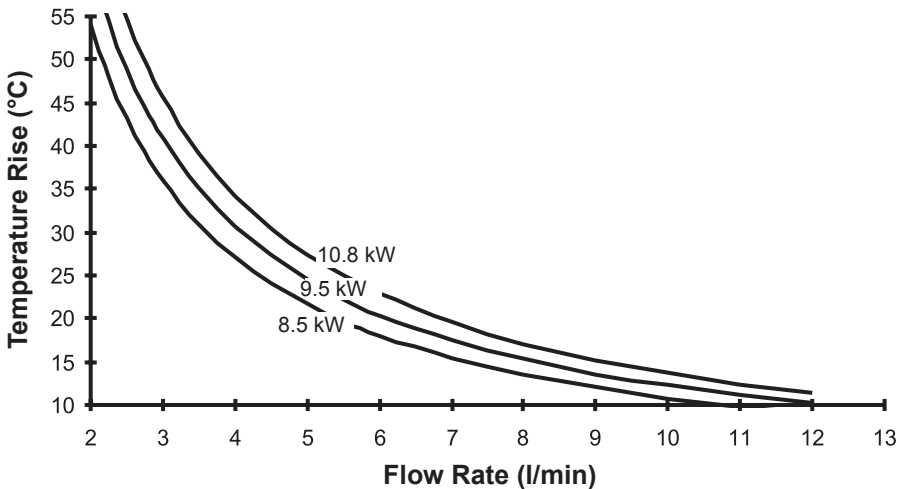
1. The 8.5 kW and 9.5 kW appliance requires a 40 Amp fuse.
The 10.8 kW requires a 45 Amp fuse.
2. The terminal block will not accept cable larger than 10 mm².
3. The Mira GO is suitable for installation in Zone 1 and is rated IP X4

Standards and Approvals

1. This Mira GO shower complies with all of the relevant directives for CE marking.

Flow Rate Graph

1. These curves are for the specified outputs at 240 V.
2. All appliance heating elements have a manufacturing tolerance. Flow rates may be above or below those shown on the flow rate graph.
3. The left-hand axis shows temperature rise.
Temperature rise = (Showering temperature) - (Supply water temperature)



INSTALLATION REQUIREMENTS

Plumbing

1. The Mira GO 8.5 kW and 9.5 kW electric showers are designed to operate with a **minimum maintained inlet pressure of 70 kPa (0.7 bar)** up to a **maximum static inlet pressure of 1000 kPa (10 bar)**.

The Mira GO 10.8 kW electric shower is designed to operate with a **minimum maintained inlet pressure of 100 kPa (1.0 bar)** up to a **maximum static inlet pressure of 1000 kPa (10 bar)**.

2. The appliance is normally connected to the cold water mains-fed supply. However, the water supply can be taken from a cold water storage cistern, provided there is a minimum maintained inlet head of water of 7 metres for the 8.5 kW, 9.5 kW and 10 metres for the 10.8 kW (the vertical distance from the base of the cold water storage cistern to the shower fitting handset). To reduce pressure losses and fluctuations, the cistern-fed water supply must be independent from other supply draw-offs, and should avoid long horizontal pipe runs and use swept bends rather than 90° elbows. For further advice please refer to the back cover of this guide for Mira GO Showers contact telephone and fax numbers.
3. The appliance is suitable for installation within the shower area. It is fitted with a pressure relief device and must be positioned over a water catchment area with the controls at a convenient height for the user. The shower fitting should be positioned so that it discharges down the centre line of the bath, or across the opening of a shower cubicle, and must be directed away from the appliance.
4. The appliance is fitted with an inlet connector assembly that is designed to accept plumbing supplies from the top or bottom. The water supply can be fed with 15 mm pipe or 10 mm microbore pipe, suitably adapted into the inlet connector assembly. If 10 mm microbore is used, then an allowance for increased pressure loss must be made to ensure that the minimum maintained inlet pressure is achieved.
5. The shower must be fitted to a tiled or sealed finished surface. The shower must be fitted onto a finished flat and even wall surface. Otherwise, difficulty may be encountered when fitting the cover, and subsequent operation of the unit could be impaired (small pillars moulded on to the back of the case allow air circulation).
6. Use only the inlet connector assembly supplied with the appliance. Do not use any other types of fitting.
7. Pipework must be rigidly supported and avoid any strain on the connections.
8. Refrain from applying excessive force when making any connections. Always provide mechanical support when making the plumbing connections.
9. This appliance is not designed to be plumbed directly from the rear. For a rear-entry supply, add an elbow to the supply pipe and connect it as a rising or falling supply.

10. **Do not install the appliance in a position where it may become frozen.** The shower unit must not be fitted where it may be exposed to freezing conditions. The shower unit must not be used if you suspect it may be frozen.

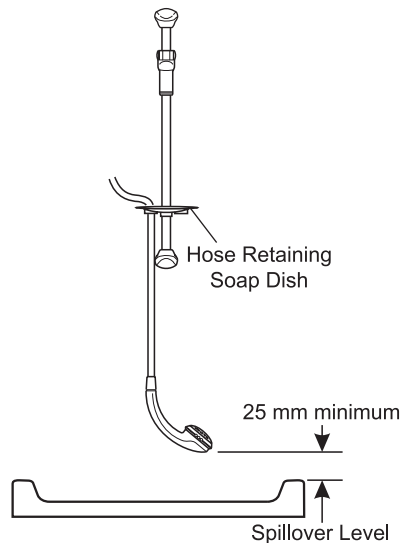
Warning! Do not switch on if there is a possibility that the water in the appliance is frozen.

11. We recommend that a non-restrictive (free-flowing) isolating valve is fitted in the cold water supply pipe to allow the complete maintenance of the appliance. Do not use a valve with a loose washer plate (jumper) as this can lead to a build up of static pressure.
12. To avoid damage to the case when soldered fittings are used, pre-solder the pipework and fittings before connecting them to the inlet connector assembly.
13. Supply pipework **MUST** be flushed to clear debris before connecting the appliance.
14. The appliance is fitted with a 1/2" BSP male outlet thread, to accept an Mira GO shower hose.
15. When installed in very hard water areas (above 200 ppm temporary hardness) your installer may advise the installation of a water treatment device, to reduce the effects of limescale formation. Appliance malfunction due to excessive limescale formation is not covered by the manufacturer's guarantee. Your local water company will be able to advise on the hardness of water in your area.
16. A hose retaining soap dish is supplied to prevent the handset from dropping below the spillover level of the bath or shower, which could lead to contamination from back-siphonage.

The supplied hose retaining soap dish should meet the majority of user requirements for shower installations with flexible outlet fittings. However, there will be occasions when the hose retaining soap dish will not provide a suitable solution. In these instances an outlet double checkvalve must be fitted. This will increase the required supply pressure typically by 10 kPa (0.1 bar).

Double checkvalves, fitted in the inlet supply to the appliance, cause a pressure build-up, which could exceed the maximum static inlet pressure for the appliance.

17. Avoid layouts where the shower hose will be sharply kinked. This may reduce the life of the hose.
18. If you experience any difficulty with the installation or operation of your new shower, then please refer to 'Fault Diagnosis', before contacting Mira Showers. Our contact details can be found on the back cover of this guide.

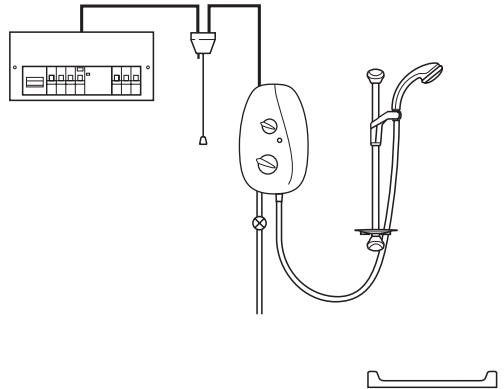


Electrical

1. This product is suitable for installation within Zone 1 and is rated IP X4.
2. In a domestic installation, the rating of the electricity supply company fuse and the consumer unit must be adequate for the additional demand. This is a high-power appliance, and it is essential to contact your electricity supply company to ensure that the supply is adequate for the appliance. Voltage drop due to local heavy demand will reduce the performance of the shower.
3. The appliance must be earthed by connecting the supply-cable earth conductor to the earth terminal.

Supplementary bonding: Within the bathroom or shower room, all accessible conductive parts of electrical equipment and extraneous conductive parts that are likely to introduce earth potential, must be electrically bonded to earth using a minimum cable size of 4.0 mm² if the cable is not mechanically protected (2.5 mm² if mechanically protected).

4. The minimum cable size (cross-sectional area) must conform to BS 7671.
5. To obtain full advantage of the power provided by this unit, use the shortest possible cable route from the consumer unit to the shower.
6. A 30 mA residual current device (RCD) **MUST** be fitted. This may be part of the consumer unit or a separate unit.
7. A separate, permanently connected supply must be taken from the consumer unit to the appliance through a double-pole switch, which has a minimum 3 mm contact separation. The switch can be a ceiling mounted pull-cord type within the shower room, or a wall mounted switch fitted in the applicable zone area.
8. **DO NOT** twist the individual cable cores of the live and neutral conductors, as this will prevent them from entering the terminal block.
9. **DO NOT** exert strain on the terminal block.
10. **DO NOT** turn-on the electrical supply until the plumbing has been completed.



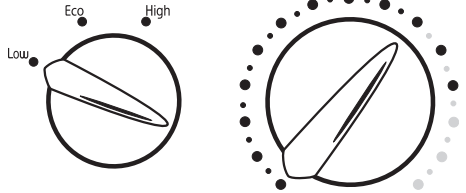
Plumbing and Electrical Schematic

INSTALLATION

Warning! Isolate the electrical and water supplies before commencing installation. The electricity must be turned off at the mains and the appropriate circuit fuse removed, if applicable.

DO NOT turn-on the electrical supply until the plumbing has been completed.

1. Determine a position for the shower, at least 200 mm from the ceiling.
2. Put the installation template on the wall and mark the positions of the **top two** fixing holes. Make sure that there are sufficient lengths of supply pipe and electrical cable to reach the connection points as shown on the template.

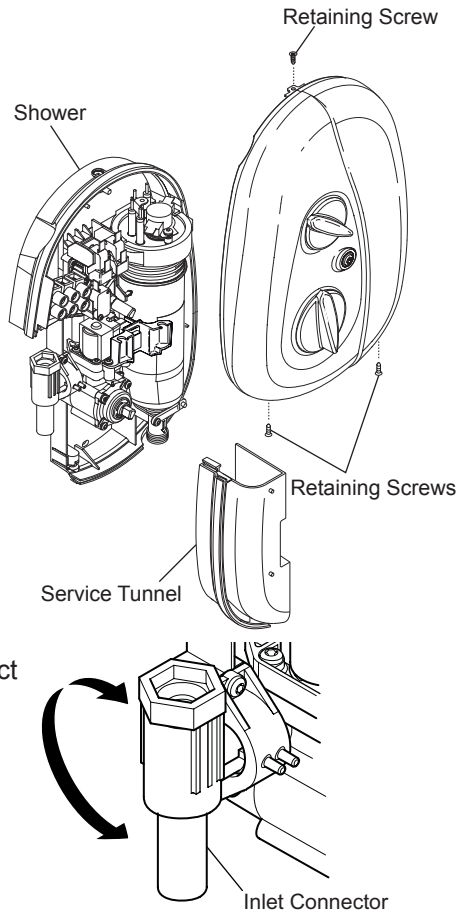


Power and Temperature Knobs

3. Remove the installation template and drill the **top and side** fixing holes. Insert the supplied wall plugs.

Caution! Do not drill into cables or pipes in the wall.

4. **Thoroughly flush the supply pipe.**
5. On the shower, turn the Power and Temperature Knobs to the full anti-clockwise position.
6. Remove the three retaining screws that hold the cover on the shower and remove the cover.
7. Remove the service tunnel from the shower.
8. Determine the direction of the incoming water supply: falling (entering the shower from the top), or rising (entering the shower from the bottom). Do not use an incoming supply entering the shower directly from the back. Add an elbow to the supply pipe and connect it as a rising or falling supply.
9. Rotate the inlet connector to suit the direction of the incoming water supply.



10. The case has thinned sections that can be removed to allow entry of the supply pipe and electrical cables. Remove the top thinned section of the case for a falling supply, or remove the bottom thinned section of the service tunnel for a rising supply.

11. If the electrical cables enter from above or below, remove an additional thinned section for the electrical cable. Do not remove any case if the electrical cables enter from the back.

12. Secure the shower to the wall **loosely** through the top and side fixing holes, using the supplied screws.

13. Mark the position of the bottom fixing hole.

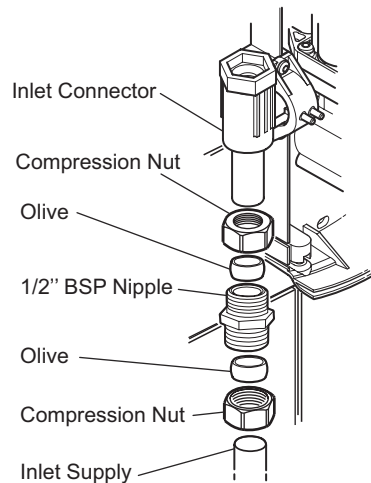
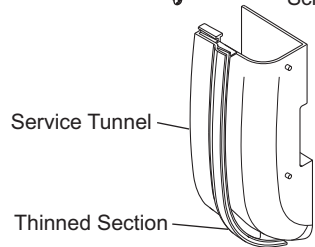
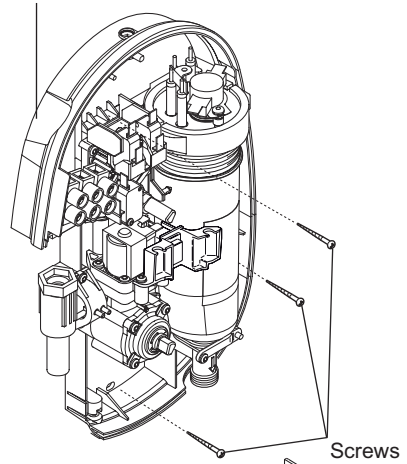
14. Remove the shower from the wall. Drill the bottom fixing hole and insert the supplied wall plug.

15. Replace the shower on the wall and secure through the three fixing holes, using the supplied screws.

16. Thoroughly flush the mains-fed cold water supply pipe. The supply must be clean and free from debris **BEFORE** connecting the appliance.

17. Connect the inlet supply pipe to the inlet connector using a 1/2" BSP nipple with compression nuts and olives (as shown) or a push-fit connector.

Thinned Section



18. Bring the electrical cables into the case.
19. Strip a short section of the electrical cables.
20. Fit an earth sleeve to the earth wire.
21. Loosen the screws in the terminal block and insert the bare wires into the clamps:

L (Live) = Brown Wire

E (⏏) (Earth) = Green Sleeved Wire

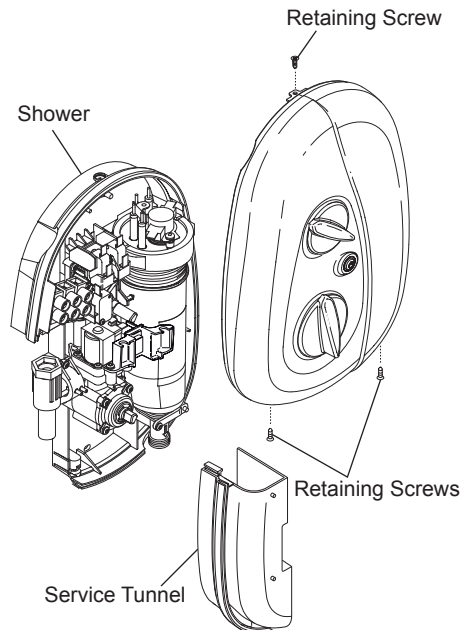
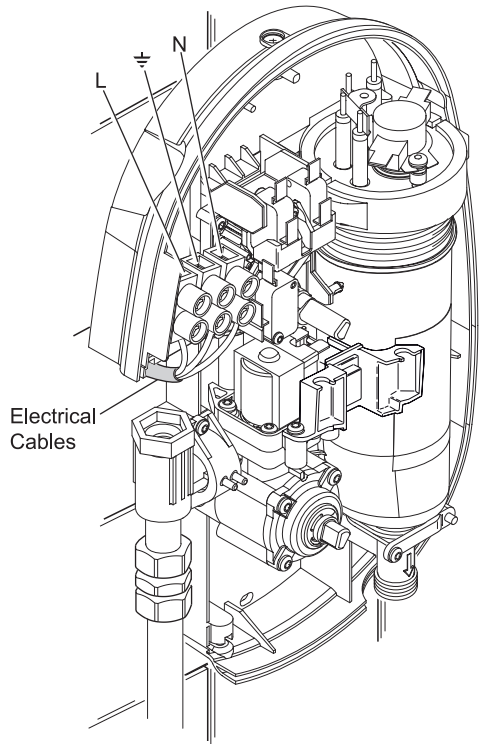
N (Neutral) = Blue Wire

Note! Do not twist the cores of the wires or strain the cables to make them reach the terminal block.

22. Tighten the screws in the terminal block so that they securely clamp the bare wires.

Note! DO NOT exert strain on the terminal block. Make sure that the electrical connections are tightly screwed down.

23. If necessary, fit an earth bonding clamp to the supply pipe and make sure that the bonding complies with the relevant regulations in force at the time of installation.
24. Replace the service tunnel.
25. Replace the cover. If the cover does not fit easily, rotate the knobs slightly so that they fit onto the spindles. Do not force the cover.
26. Tighten the three retaining screws.
27. Install the shower fittings, refer to your Shower Fittings Installation and User Guide.



COMMISSIONING

Caution! If you are unsure how electric showers work, please read the **Operation** section before continuing.

1. Turn the shower OFF by pressing the power button. Make sure that the button is in the OFF position.

2. Turn the temperature knob fully anticlockwise to cold and the power knob to low.

3. Turn on the water supply fully at the isolating valve. Check that water is not leaking from the bottom of the case.

4. Switch on the electrical supply at the double pole switch. The light around the power button will turn on.

5. Turn the shower on by pressing the power button.

Check that water flows freely from the shower within a few seconds. If not, refer to the **Maintenance** section. The water from the handset should be at full force and at a cool temperature.

6. Turn the temperature knob slowly clockwise to hot. As the knob is rotated the flow will be reduced and the temperature will remain cool (this shows that the flow regulator assembly is operating correctly).

7. Turn the temperature knob back fully anticlockwise to cold.

8. Turn the power knob to **Eco**. The temperature of the water should rise slightly. Allow a few seconds for the warm water to reach the handset - this shows that the half power setting is operating correctly.

9. Turn the power knob to **High**. The temperature of the water will rise further - this shows that the full power setting is operating correctly.

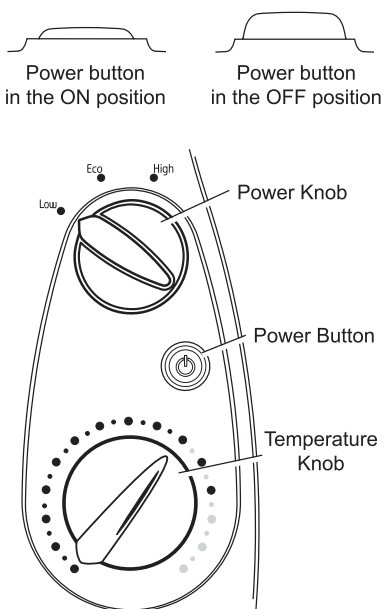
10. Set the shower temperature by rotating the temperature knob as necessary. Turn the knob clockwise for warmer water and anticlockwise for cooler water. Allow approximately 10 seconds for the adjusted temperature to reach the handset.

Note! It is normal for the flow rate to change when the temperature is changed.

11. When the required temperature is reached, press the power button (OFF position). Residual water may drain over a few minutes. The shower is now set for future operation.

12. Switch off the power at the double pole switch.

Note! It is normal for the shower to make a slight hissing sound during operation. High mains water pressure and high shower temperatures will affect the tone.



OPERATION

Advice to Users

Note! Read the **Important Safety Information** section first.

DO NOT operate this appliance if water leaks from this appliance.

Warning! Do not switch on if there is a possibility that the water in the appliance is frozen.

Warning! The shower head must be de-scaled regularly. Lack of regular shower head cleaning will lead to poor performance and cause early failure of the appliance. Refer to the Shower Fittings User Guide for more information.

1. Electric showers work by taking in cold water and passing it over the heating elements contained in the tank inside the shower.
2. The showering temperature is adjusted by turning the temperature control knob, which varies the flow of cold water across the elements. The slower the rate of flow, the warmer the water, and vice versa. The holes in the spray plate of the shower handset should always be kept clean to maintain a consistent flow and stable shower temperatures.
3. The appliance is designed to stabilise temperature changes caused by water pressure fluctuations. These fluctuations can be caused by taps being turned on or off, or toilets being flushed. Under such conditions, average shower temperatures will be held within a 6 °C range, provided that the minimum required pressure is maintained.
4. Seasonal changes in the temperature of the incoming cold water supply and/or fluctuations in mains electrical voltage will effect the temperature of the water. Adjust the temperature knob as necessary to compensate.
5. The shower requires a minimum pressure of 70 kPa (0.7 bar) to operate (100 kPa (1 bar) is required for 10.8 kW). At pressures above 70 kPa (0.7 bar), the shower will minimise the temperature fluctuations caused when other draw-off points are used. If the flow rate drops below an acceptable level, the heating element inside the shower will turn off, resulting in a cold shower.
6. If the water temperature reaches an unsafe level, then the thermal switch will turn off the heating element inside the shower. The heating element will be turned back on when the water temperature drops. The thermal switch will cycle on/off/on unless the flow rate is increased and the temperature of the shower is reduced. This will result in a fluctuating shower temperature.
7. Check the shower temperature before entering the shower. The previous user may have selected a different temperature setting.
8. When the shower is first turned on, or the temperature setting is changed, there will be a slight delay before the water temperature changes.

Operating Instructions

To turn the shower on

1. Switch on the electrical supply at the double pole switch. The light around the power button will turn on.
2. Turn the shower on by pressing the power button.
3. Turn the power knob to **High**. Wait 15-20 seconds for warm water to reach the handset.

For electrical economy, set the power knob to **Eco**. This setting will provide sufficient power when the supply water temperature is warmer, such as in the summer.

For an unheated shower, set the power knob to **Low**.

To set the shower temperature

1. Set the shower temperature by rotating the temperature knob as necessary. Turn the knob clockwise for hotter water and anticlockwise for cooler water. Wait 10-15 seconds for the adjusted temperature to reach the handset.

Note! It is normal for the flow rate to change when the temperature is changed.

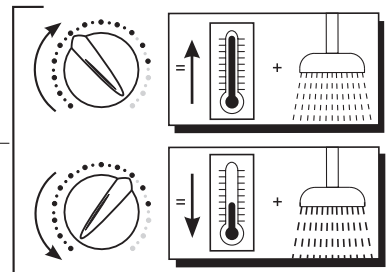
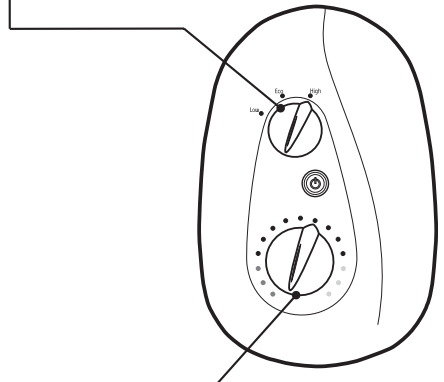
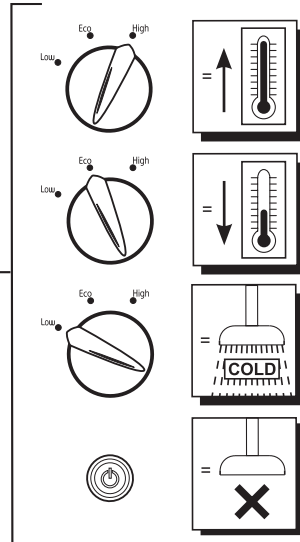
Note! If the water temperature cycles between hot and cold, the temperature is set too high. This is causing the thermal switch to turn off the heating element to reduce the water temperature. Turn the temperature knob anticlockwise to reduce the water temperature.

To turn the shower off

1. Turn the shower off by pressing the power button.

Note! Residual water may drain over a few minutes.

2. Switch off the electrical supply at the double pole switch. The light around the power button will turn off.



FAULT DIAGNOSIS

The troubleshooting information tabled below gives you details on probable causes and remedies should difficulties be encountered whilst the shower is in operation.

Warning! There are no user serviceable components beneath the cover of the appliance.

Only a competent tradesperson should remove the FRONT cover!

| Malfunction | Cause | Remedy |
|--|--|--|
| Shower is too hot during the summer. | The incoming water is warmer in the summer, so the shower power setting is too high. | Turn the power knob to Eco and adjust the temperature knob until the desired temperature is reached. |
| Shower is too hot. | The handset sprayplate is blocked. | Regularly clean the handset sprayplate. |
| Turning the temperature knob does not affect the water temperature. | The handset sprayplate is blocked. | Remove and clean the handset sprayplate. If the fault persists, contact the shower installer. |
| The water continues to flow when the double pole switch is turned off. | Broken diaphragm. | Contact your installer to replace the flow valve assembly. |
| No water or very low flow rate. | The handset sprayplate is blocked. | Clean the handset sprayplate. Refer to the Maintenance section of the handset manual. |
| | The incoming water supply stop valves, or the appliance isolating valve, is closed. | Open the stop/isolating valve completely. |
| | The hose or handset is blocked. | Clear the blockage or replace the hose or handset. |
| | The power is off at the double pole switch. | Switch on the power at the double pole switch. |
| | The fuse is blown or the MCB/RCD has been tripped, indicating a possible electrical fault. | Renew the fuse or reset the MCB/RCD. If the fault persists, contact the shower installer. |

(continued)

| Malfunction | Cause | Remedy |
|--|--|--|
| No hot water from shower, with the knobs in any position. | <p>Other water outlets are being used during showering, causing the water pressure to drop below the minimum required.</p> <p>The water pressure is below the minimum required.</p> <p>Failure of the pressure switch, the micro switch or the thermal switch.</p> | <p>Make sure the other water outlets, such as the washing machine or dishwasher, are not in use during showering.</p> <p>Make sure that the incoming water supply stop and the isolating valve are completely open. If the fault persists, contact the shower installer.</p> <p>Contact installer to replace faulty parts.</p> |
| The temperature cycles between hot and cold. | The temperature is set too high. This is causing the thermal switch to turn off the heating element to reduce the water temperature. | Turn the temperature knob anticlockwise to reduce the water temperature. |
| ALL OF THE FOLLOWING REMEDIES MUST ONLY BE PERFORMED BY A COMPETENT TRADESPERSON! | | |
| No hot water from shower, with the knobs in any position. | <p>Insufficient water supply pressure.</p> <p>Failure of the pressure switch, microswitch or thermal switch.</p> <p>An internal wiring connection has failed.</p> <p>One of the heater tank elements has failed.</p> <p>Switch assembly diaphragm fault, water dripping from the unit.</p> | <p>Contact the local water authority.</p> <p>Check the continuity of the switches, using a suitable continuity measuring device. Replace the switches as necessary.</p> <p>Check the integrity of the internal wiring.</p> <p>Replace the heater tank.</p> <p>Replace switch assembly.</p> |
| The shower temperature cycles between hot and cold. | The temperature is set too high. This is causing the thermal switch to turn off the heating element to reduce the water temperature. | <p>Turn the temperature knob anticlockwise to reduce the water temperature.</p> <p>DO NOT TAMPER with the thermal switch.</p> |

(continued)

| Malfunction | Cause | Remedy |
|--|---|--|
| Turning the temperature knob does not affect the water temperature. | The flow regulator is faulty. | Replace the flow regulator. |
| | The handset sprayplate is blocked. | Remove and clean the handset sprayplate. If the fault persists, contact Customer Services. |
| No water or very low flow rate. | The handset sprayplate is blocked. | Regularly clean the handset sprayplate. |
| | The incoming water supply stop valves, or the appliance isolating valve, is closed. | Open the stop/isolating valve completely. |
| | The hose or handset is blocked. | Clear the blockage or replace the hose or handset. |
| | Insufficient water supply pressure. | Contact the local water authority. |
| | The heater tank is excessively scaled. | Replace the heater tank. |
| | The pilot valve is faulty. | Replace the flow regulator assembly. |
| | The inlet filter is blocked. | Clean the inlet filter. Refer to Maintenance 'Cleaning the Inlet Filter' section. |
| | The power is not turned on at the double pole switch. | Switch on the power at the double pole switch. |
| The fuse is blown or the MCB/RCD has been tripped, indicating a possible electrical fault; for example, heater tank element failure. | Renew the fuse or reset the MCB/RCD. If the fault persists, contact Customer Services. Replace the heater tank. | |

(continued)

| Malfunction | Cause | Remedy |
|--|--|---|
| <p>Water leaks from the bottom of the case near the outlet, and there is no flow from the handset.</p> | <p>The pressure relief valve in the tank has been triggered, (the shower has a pressure relief valve assembly that works to reduce the damage if the outlet is blocked or the unit is frozen).</p> <p>When the relief valve operates (a small rubber ball is ejected).</p> | <p>Resolve the blocked outlet, and replace the tank assembly.</p> <p>Reset the relief valve assembly, refer to Maintenance “Relief Valve Setting” If the fault persists, contact Customer Services.</p> |
| <p>The water cannot be turned off.</p> | <p>The pilot valve is faulty.</p> <p>Broken diaphragm.</p> <p>The supply pressure is below the minimum requirement.</p> | <p>Replace the flow regulator assembly.</p> <p>Replace the flow regulator assembly.</p> <p>Contact the local water authority. Check the static water pressure. Note that the static pressure may fall below minimum requirement when other appliances are drawing water, for example the dishwasher or washing machine.</p> |

MAINTENANCE

Any maintenance must be carried out by a qualified tradesperson, following the instructions provided. Before replacing any parts, make sure that the underlying cause of the malfunction has been resolved.

Warning! There are no user-serviceable components beneath the cover of the appliance. Only a competent tradesperson should remove the cover.

Cleaning

Many household cleaners contain abrasives and chemical substances, and should not be used for cleaning plated or plastic fittings. These finishes should be cleaned with a mild washing up detergent or soap solution, and then wiped dry using a soft cloth.

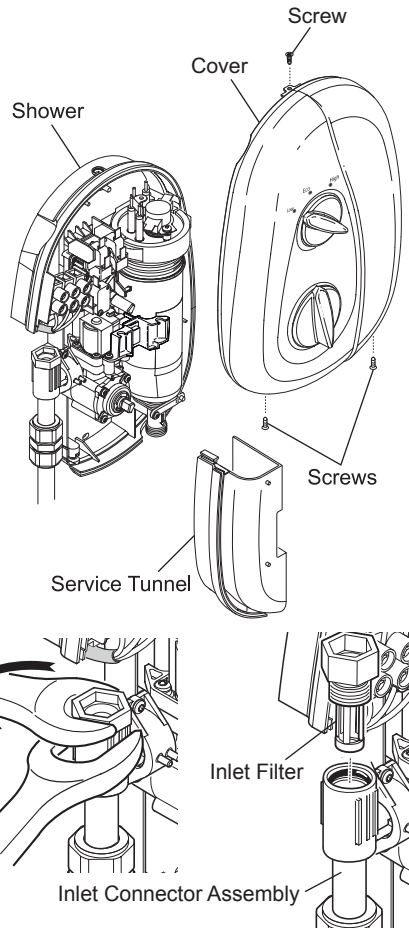
Handset

Poor shower performance can be avoided by regular cleaning of the handset. Use your thumb or soft cloth to wipe the rubber nozzles. The handset must also be descaled regularly.

Cleaning the Inlet Filter

Warning! Isolate the electrical and water supplies before removing the cover.

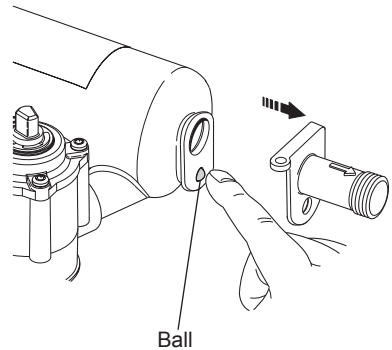
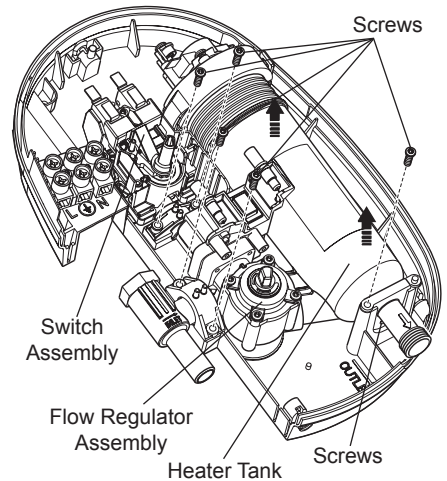
1. Remove the three retaining screws that hold the cover on the shower and remove the cover.
2. Remove the service tunnel from the shower.
3. Use a suitable spanner to remove the inlet filter from the inlet connector assembly. Hold a wrench across the flats of the inlet connector assembly to prevent damage to the connector, whilst removing the strainer. Do not remove the 'O' seal.
4. Remove the inlet filter.
5. Clean the inlet filter with a stiff brush. If necessary, use a kettle descaler in accordance with the manufacturer's instructions.
6. Refit the components in reverse order.



Relief Valve Assembly - Resetting

Warning! Isolate the electrical and water supplies before removing the cover. Mains electricity connections are exposed when the cover is removed.

1. Remove the three screws that hold the cover and remove the cover.
Note! The rubber ball is ejected to reduce the damage if the outlet is blocked or the appliance is frozen.
2. Remove the five screws that hold the switch assembly, heater tank and, flow regulator assembly.
3. Lift out the power switch assembly, heater tank and flow regulator assembly.
4. Using your finger push the ball back into the tank. Do not remove the 'O' seal.
5. Refit the components in reverse order.
6. Replace the cover. If the cover does not fit easily, rotate the knobs slightly so that they fit into the spindles. Do not force the cover.

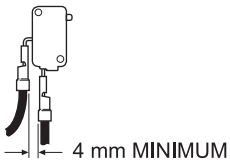
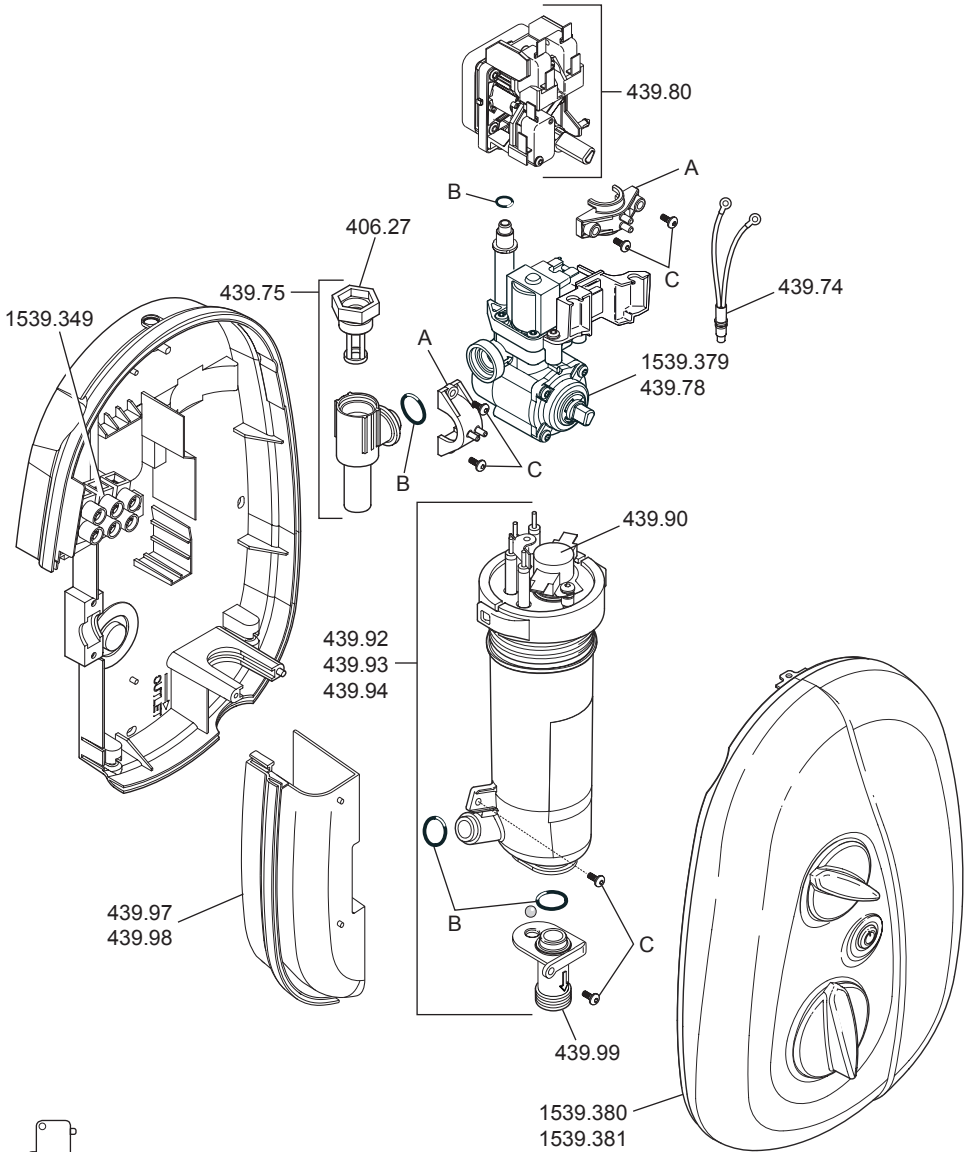


SPARE PARTS

Spare Parts List

| | |
|----------|--|
| 406.27 | Filter |
| 439.74 | Spare Neon Assembly |
| 439.75 | Inlet Connector Assembly |
| 439.76 | Clamp Bracket Pack (components identified 'A') |
| 439.78 | Flow Regulator Assembly, 9.5/10.8 kW |
| 439.80 | Switch Assembly, Push Button 9.5/10.8 kW |
| 439.88 | Seal Pack (components identified 'B') |
| 439.89 | Screw Pack (components identified 'C') |
| 439.90 | Thermal Trip Assembly |
| 439.92 | Heater Tank Assembly 8.5 kW |
| 439.93 | Heater Tank Assembly 9.5 kW |
| 439.94 | Heater Tank Assembly 10.8 kW |
| 439.97 | Tunnel |
| 439.98 | Tunnel Satin Silver |
| 439.99 | Tank Outlet and Ball |
| 1539.349 | Terminal Block Assembly |
| 1539.379 | Flow Regulator Assembly, 8.5 kW |
| 1539.380 | Cover White |
| 1539.381 | Cover Satin Chrome |

Spare Parts Diagram

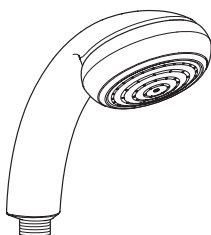


Important Note! Push-fit connectors must be assembled back to back onto terminals of micro-switches.

A minimum air gap of 4 mm must be maintained between the connectors after assembly.

ACCESSORIES

Genuine Mira accessories can be purchased direct from Customers Services (our contact details can be found on the back cover of this guide) or from approved stockists or merchants.



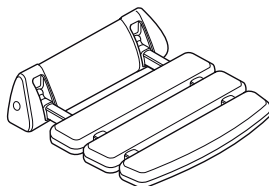
Everclear Showerhead

White - 2.1616.030

Chrome - 2.1616.031

9.5 Kw and 10.8 kW versions only

Mira's new Everclear range has been specially designed for hard water areas and reduces the risk of lime scale build up.



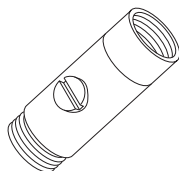
Shower Seat

White - 2.1536.128

White/Chrome - 2.1536.129

For use in or out of the showering area. **Note!** Must be installed onto a solid wall.

Shower seat folds up when not in use



Double Outlet Check Valve (DCV-H)

Chrome - 1.0.110.55.1

DCV-H: An outlet double check valve, designed to prevent the backflow or backsiphonage of potentially contaminated water, through shower controls which are fitted with a flexible hose as part of the outlet shower fitting.

NOTES

NOTES

CUSTOMER SERVICE

Guarantee

Your product has the benefit of our manufacturer's guarantee which starts from the date of purchase.

To activate this guarantee, please return your completed registration card, visit our website or free phone 0800 0731248 within 30 days of purchase (UK only).

Within the guarantee period we will resolve defects in materials or workmanship, free of charge, by repairing or replacing parts or product as we may choose.

This guarantee is in addition to your statutory rights and is subject to the following conditions:

- The product must be installed and maintained in accordance with the instructions given in this user guide.
- Servicing must only be undertaken by us or our appointed representative. **Note!** if a service visit is required the product must be fully installed and connected to services.
- Repair under this guarantee does not extend the original expiry date. The guarantee on any replacement parts or product ends at the original expiry date.
- For shower fittings or consumable items we reserve the right to supply replacement parts only.

The guarantee does not cover:

- Call out charges for non product faults (such as damage or performance issues arising from incorrect installation, improper use, lack of maintenance, build up of limescale, frost damage, corrosion, system debris or blocked filters) or where no fault has been found with the product.
- Water or electrical supply, waste and isolation issues.
- Compensation for loss of use of the product or consequential loss of any kind.
- Damage or defects caused if the product is repaired or modified by persons not authorised by us or our appointed representative.
- Routine maintenance or replacement parts to comply with the requirements of the TMV 2 or TMV 3 healthcare schemes.

What to do if something goes wrong

If your product does not function correctly when you first use it, contact your installer to check that it is installed and commissioned in accordance with the instructions in this manual.

Should this not resolve the issue, contact our Customer Services Team who will offer you or your installer advice and if applicable arrange for a Service Technician to call.

If the performance of your product declines, check in this manual to see if simple home maintenance is required. If you require further assistance call our Customer Services Team.

Extended Guarantees

A selection of protection plans are available that enable you to cover repair bills for the life of your policy (excludes Eire). Ring 01922 471763 for more details.

Helpdesk Service

Our dedicated Customer Services Team is comprehensively trained and can offer help and advice, spare parts, accessories or a service visit. We will need you to have your model name or number, power rating (if applicable) and date of purchase. As part of our quality and training programme calls may be recorded or monitored.

Mira Showers Website (www.mirashowers.co.uk)

From our website you can register your guarantee, download additional user guides, diagnose faults, purchase our full range of accessories and popular spares, refer to our FAQ's and request a service visit.

Spares and Accessories

We maintain extensive stocks of genuine spares and accessories and aim to provide support throughout the product's expected life. Payment can be made by phone at time of order using most major Credit or Debit cards and we aim to despatch orders within two working days. Items purchased from us are guaranteed for 12 months from date of purchase. For safety reasons spares exposed to mains voltages should only be fitted by competent persons.

Returns – items can be returned within one month of date of purchase, providing that they are in good condition and the packaging is unopened. Please obtain authorisation from our Customer Services Team before return. We reserve the right to apply a 15% restocking charge.

Service / Repairs

We have a nationwide team of Service Technicians who can carry out all service or repair work to your product within the guarantee period and beyond. You have the assurance of a fully trained Mira Technician, genuine Mira spare parts and a 12 month guarantee on any chargeable work done.

Payment should be made directly to the Service Technician who will accept most major Credit or Debit cards.

To Contact Us

UK

Telephone: 0844 571 5000

Mon to Fri 8:00 am - 5:30 pm, Sat 8:30 am - 3:30 pm

E-mail: technical@mirashowers.com

Fax: 01242 282595

By Post: Mira Customer Services Dept, Cromwell Road, Cheltenham, Gloucestershire, GL52 5EP

Eire

Telephone: 01 459 1344

Mon to Fri 9:00 am - 5:00 pm

E-mail: sales@modernplant.ie

Fax: Dublin 01 459 2329

By Post: Modern Plant Ltd (Dublin), Otter House, Naas Road, Clondalkin, Dublin 22

Mira is a registered trade mark of
Kohler Mira Limited.

The company reserves the right to alter
product specifications without notice.



FM 14648

mira
SHOWERS